

# Thunder-KMT218P

High power passive 2 x 18" subwoofer



## DESCRIPTION

The Thunder-KMT218P is a high performance sub-bass system designed for use with medium-large wavefront systems, in both touring and install applications. It features two 18" drive units with magnet structure and suspension engineered for maximum linear excursion. The ultra-light reflex cabinet is fitted with pocket handles

and one M20 thread mount position for attaching mid-high speakers. It features large area porting to reduce air noise. The KMT218P is designed to be powered by KA84 amplifier and KMT218 Speakon output and to be easily integrated with Kayman mid-high speakers. The KMT218P is ideal for medium-large throw applications, like

theaters, clubs, concert halls, portable and permanent AV installations. All the KMT218P components are designed by K-array R&D department and custom made under K-array control quality system. All the KMT218P components are designed by K-array R&D department and custom made under K-array control quality system.

## COLORS & PREMIUM FINISHES AVAILABLE



Black



White



Custom

## SUGGESTED ACCESSORIES

K-POLE1

K-WIRE2

K-WHEEL

K-WIRE15

K-WHEELB

## FEATURES



Lightweight

## FREQUENT APPLICATIONS

LARGE CONGREGATIONS

THEATERS & CONCERT HALLS

NIGHTCLUBS

EVENT PRODUCTIONS

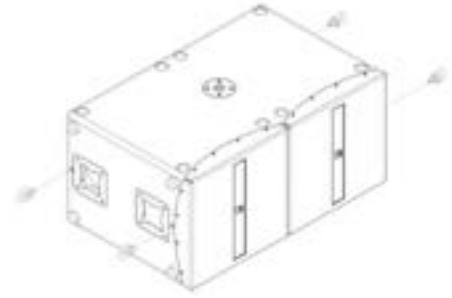
BROADCAST & STUDIOS

THEME PARKS

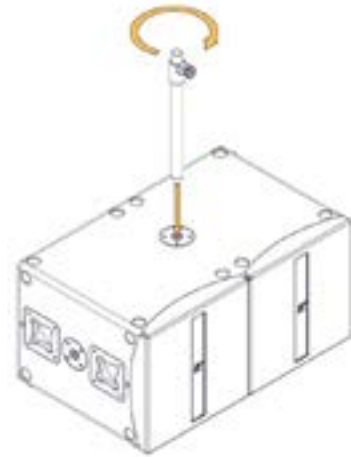
TOURING, FESTIVALS, CONCERTS & LIVE

# TECHNICAL SPECIFICATIONS

ACOUSTICS	
Power handling	1600W <sup>(AES)</sup>
Max Power	2800 W <sup>(1)</sup>
Impedance	4 Ohm
Frequency range (-10 dB)	30 Hz – 150 Hz
SPL 1W/1mt	101 dB
Maximum SPL3	133 dB (cont) - 139dB (peak)
COVERAGE	
Horizontal	Omni
Vertical	Omni
CROSSOVER	
Type	External Crossover Required
Frequency	Low pass @ 150 Hz (maximum - preset dependent)
TRANSDUCERS	
Type	2 X 18" Neodymium magnet woofer with 3" voice coil
AUDIO IN/OUT	
Connectors	2 x 4 pin Speakon
Digital Connectors	1+ 1 -(signal IN & Link); 2+ 2- (through)
RECOMMENED AMPLIFIERS	
Type	KA84, KMT218
PHYSICAL OVERVIEW	
Dimensions	55.5 x 55.5 x 76.3 cm (21.85" x 21.85" x 30.03") <sup>(2)</sup>
Weight	44.5 Kg (98.10 lb)
<p>1. Amplifier wattage rating is based on the maximum unclipped burst sine wave RMS voltage that the amplifier will produce into the nominal load impedance.</p> <p>2. ( W x H x D).</p> <p>New materials and design are introduced into existing products without previous notice. Present systems may differ in some respects from those presented in this catalogue.</p>	



Thunder-KMT21P I  
suspending accessory



Thunder-KMT21P I+  
K-POLE1

