



KV50

USER GUIDE English



TABLE OF CONTENTS

SYMBOLS	3
1. INTRODUCTION	4
2. KEY FEATURES	4
3. APPLICATIONS	4
4. SAFETY INFORMATION	5
5. UNPACKING	6
6. PACKAGING	6
7. PHYSICAL OVERVIEW	7
8. WIRING	8
9. INSTALLATION	9
10. SERVICE	10
11. TECHNICAL SPECIFICATIONS	11
12. CERTIFICATION	12

SYMBOLS



K-array declares that this device is in compliance with applicable CE standards and regulations. Before putting the device into operation, please observe the respective country-specific regulations!



Waste Electrical and Electronic Equipment (WEEE)
Please dispose of this product at the end of its operational lifetime by bringing it to your local collection point or recycling center for such equipment.



This symbol alerts the user to the presence of recommendations about the product's use and maintenance.



Warning: DANGEROUS VOLTAGE.
Terminals marked with this symbol carry a risk of **electric shock**, therefore external wiring connected to these terminals requires installation by a qualified professional or the use of ready-made leads or cords.



This symbol alerts the user to the presence of recommendations about product's use and maintenance.



This device complies with the Restriction of Hazardous Substances Directive.

1. INTRODUCTION

The KV50 Vyper is an ultra-flat passive speaker system comprised of eight, 1" Neodymium magnet transducers housed in an elegant, yet sturdy aluminum chassis. The eight closely-spaced cone drivers provide true line array characteristics: phase coherence, low distortion and focused listening in both the foreground and at a distance from the speaker.

A steel bracket accessory provides an easy-to-mount option for permanent wall installations. For easier use and integration with other speakers or amplifiers, KV50 allows the user to select between two different values of impedance: 16Ω and 64Ω. At 64Ω, as many as sixteen KV50 speakers can be powered by a single amplifier channel at 4Ω, which eliminates the need of 70 V amplifiers for wider distributed installed systems.

The KV50 is able to reproduce the entire vocal frequency range with high intelligibility, starting from 150 Hz. Integrating a K-array KU36 or KMT12P subwoofer powered by a KA24 or KA84 amplifier set with specific presets optimized for the KV50 assures excellent coverage of the entire musical frequency range.

All KV50 Vyper components are designed by the K-array R&D Department and custom made under the K-array quality control system.

2. KEY FEATURES

- Unique performance-to-size ratio
- Multiple 1" long-excursion full-range cone drivers
- Wide horizontal coverage
- Electronically protected
- Selectable 16 Ω or 64 Ω impedance
- Weather proof, suitable for outdoor installations: IP54

3. APPLICATIONS


- Portable and installed AV systems
- Background music systems in restaurants and clubs
- Stage and AV studio monitoring
- Space-sensitive fill for broadcast

4. SAFETY INFORMATION



Warning: Failure to follow these safety instructions could result in injury or damage to the device or other property.

IMPORTANT SAFETY INSTRUCTIONS

- Read these instructions.
 - Keep these instructions.
 - Heed all warnings.
 - Follow all instructions and keep all warnings.
 - Only use attachments/accessories specified by the manufacturer.
- 

 - Use only with the cart, stand, tripod, bracket, or table specified by the manufacturer or sold with the apparatus.
 - When a cart is used, use caution when moving the cart/apparatus combination to avoid injury from tipover.
- **Avoiding hearing damage.** Professional loudspeakers are capable of producing extremely high sound levels and should be used carefully. Never stand close to loudspeakers driven at high volume. Set the volume to a safe level. You can adapt to a higher volume of sound that over time may sound normal but can be damaging to your hearing. Hearing loss worsens after exposure to a sound level of 90 dB or over for an extended period of time. If you experience ringing in your ears or muffled speech, stop listening and have your hearing checked. The louder the volume, the less time is required before your hearing could be affected.
 - **Choking hazards.** This device contains small parts, which may present a choking hazard to small children. Keep the device and its accessories away from small children.
 - **Do not make repairs yourself.** Never attempt to disassemble, repair or modify the system yourself. Disassembling the unit may cause damage that is not covered by the warranty. The device contains no user-serviceable parts. Repairs should only be performed by factory trained service personnel.
 - **Sound distortion.** Do not operate speakers for an extended period of time with sound distortion. This is an indication of malfunction, which in turn can generate heat and result in a fire.
 - **Carrying, handling and installing the device.** The device contains sensitive components. Do not drop, disassemble, open, crush, bend, deform, puncture, shred, incinerate or paint the device nor insert foreign objects into it. If your device has been dropped or damaged, unplug the power cable immediately.
 - **Setup.** Set up your device on a stable, horizontal surface. If combined or mechanically connected with other products, always verify the stability of the resulting system. Install the unit only in a location that can structurally support the weight of the unit and far away from interference with the stability of the system. Ensure the wind does not interfere with the system's stability, using extra securities such as chains, weights, ropes or any other certified anchoring systems. Otherwise a unit could fall, causing property damage, personal injury or even death. The system should only be suspended by qualified personnel following safe rigging practices. Securing fixtures to the building structure are vital. To clarify any doubts, seek help from architects, structural engineers or other specialists.

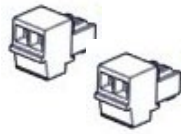
5. UNPACKING

Each K-array speaker is built to the highest standard and thoroughly inspected before leaving the factory. Upon arrival, carefully inspect the shipping carton, then examine and test your new audio element. If you find any damage, immediately notify the shipping company. Only the consignee may institute a claim procedure regarding the system's electronic equipment.

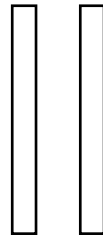
6. PACKAGING



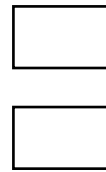
1 x KV50 speaker



2 x 2-pin phoenix
connectors

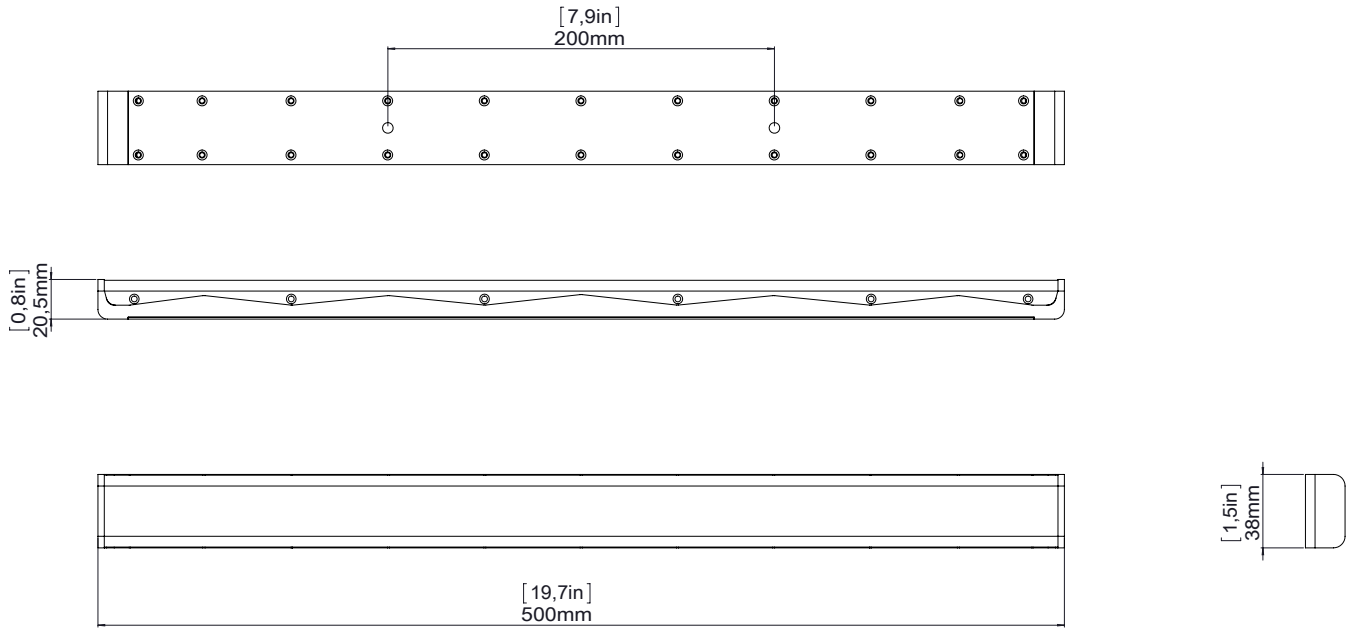


2 x double-sided
adhesive



2 x dual lock
fastening velcro

7. PHYSICAL OVERVIEW

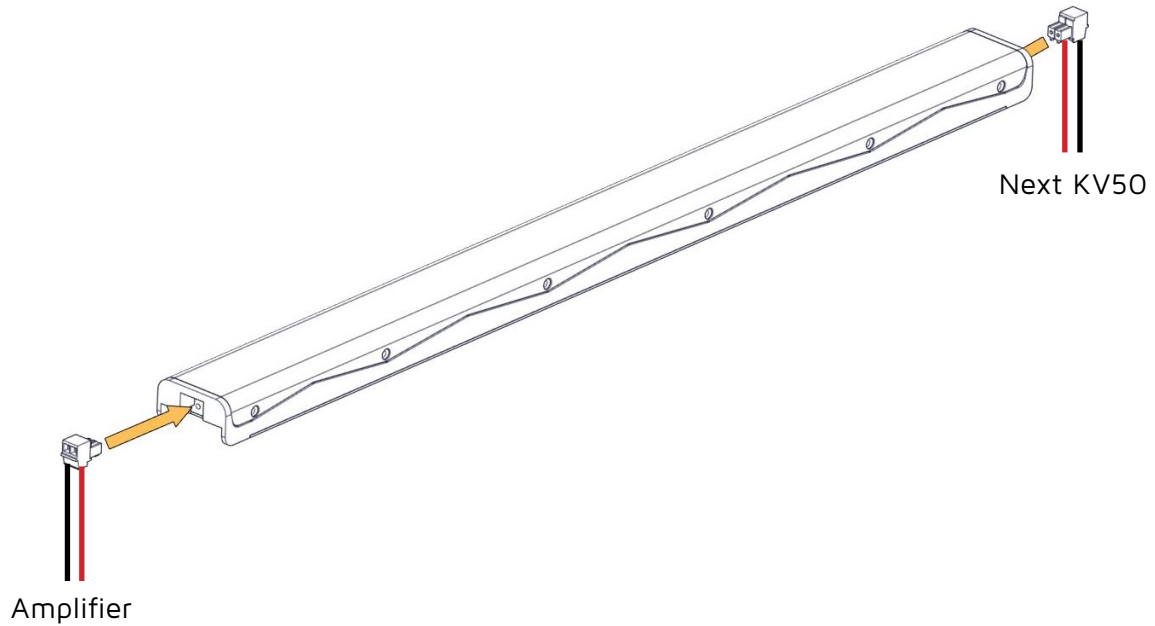


Weight
0.67 kg (1.5 lbs)

8. WIRING

The KV50 features two 2-pin Phoenix connectors wired in parallel. The two connectors are interchangeable and can be used to connect the speaker to the amplifier or to connect the speaker to another KV50 driven in parallel by the same amplifier channel.

The KV50 allows the user to select two different values of impedance (16Ω – 64Ω) with a switch situated on the rear panel. At 64Ω as many as 16 KV50 speakers can be powered off a single KA84 amplifier channel.

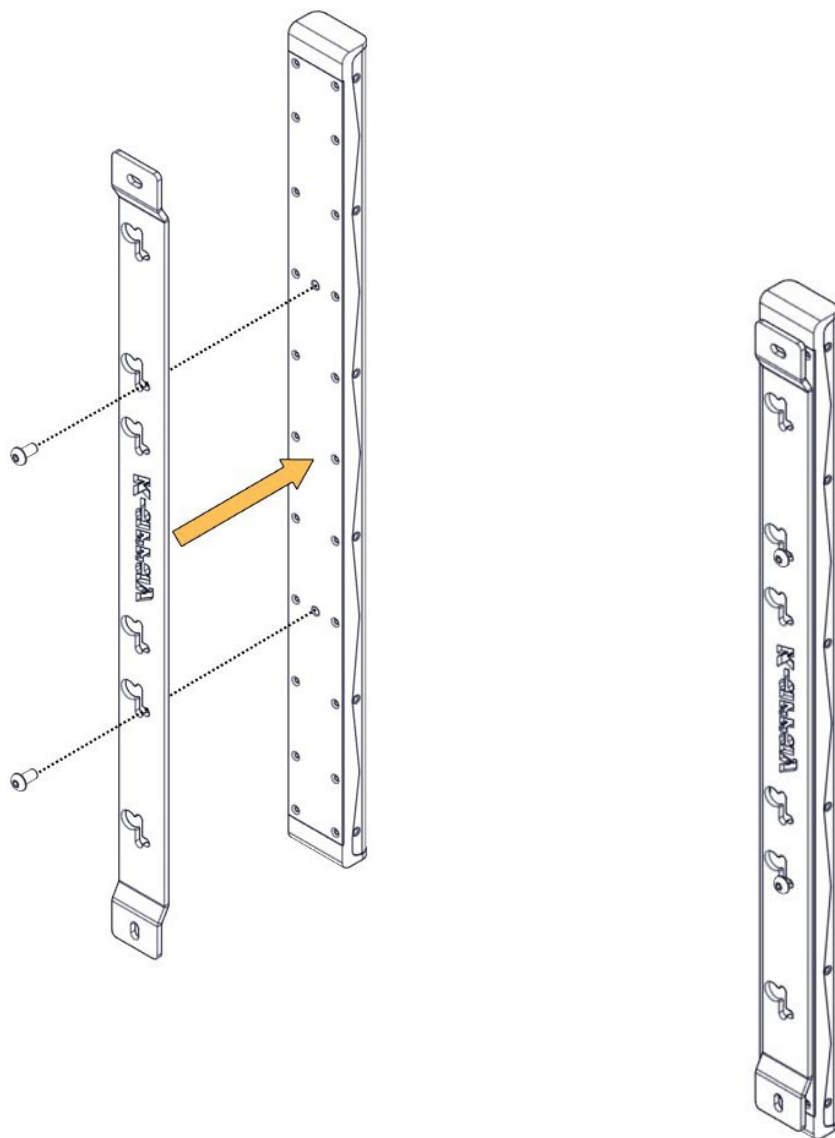


Max number of speakers per channel

	KA24 amp	KA84 amp
KV50 @ 16Ω	4	NO
KV50 @ 64Ω	NO	16

9. INSTALLATION

The KV50 can be mounted on the wall using the K-V5WALL1 accessory.



Check all the accessories compatible with this product in the [Accessories](#) section on the [KV50 web page](#).

10. SERVICE

To obtain service:

- 1) Contact the official K-array distributor in your country. Your local distributor will direct you to the appropriate service center.
- 2) If you are calling for service, please have the serial number(s) of the unit(s) available for reference. Ask for Customer Service and be prepared to describe the problem clearly and completely.
- 3) If the problem cannot be resolved over the phone, you may be required to send the unit in for service. In this instance, you will be provided with an RA (Return Authorization) number which should be included on all shipping documents and correspondence regarding the repair. Shipping charges are the responsibility of the purchaser.

Any attempt to modify or replace components of the device will invalidate your warranty. Service must be performed by an authorized K-array service center.



Cleaning:

Use only a soft, dry cloth to clean the device. Do not use any solvents, chemicals, or cleaning solutions containing alcohol, ammonia, or abrasives. Do not use any sprays near the product or allow liquids to spill into any openings.

11. TECHNICAL SPECIFICATIONS

	ACOUSTICS		TRANSDUCERS
Power handling	150 W ^(AES)	Full-range	8 x 1" cone driver with 0.75" voice coil
Max power	300 W ⁽¹⁾		POWER AUDIO INPUT
Frequency range	200 Hz – 20 kHz +/- 3dB ⁽²⁾	Connectors	2 x 2-pin phoenix
Impedance	16 Ω / 64 Ω selectable		RECOMMENDED AMPLIFIERS
SPL 1W/1mt	86 dB ⁽³⁾	Type	KA24, KA84
Maximum SPL	108 dB (cont.) – 114 dB (peak) ⁽⁴⁾		CERTIFICATION
	COVERAGE	IP	54
Horizontal	110°		PHYSICAL
Vertical	10°	Dimensions	3.8 x 50 x 2.1 cm (1.5"x 19.7"x 0.8")
	CROSSOVER	Weight	0.7 kg (1.5 lbs)
Type	External Crossover required		
Frequency	150 Hz, 24 dB/oct suggested minimum		

Notes for data

1. Maximum RMS applicable power for a musical signal. The reference signal is the one proposed by EIAJ standard
2. With dedicated preset
3. Measured @4m then scaled @ 1m
4. Measured with musical signal

New materials and designs are introduced into existing products without prior notice. Present systems may differ in some respects from those presented in this catalogue.

12. CERTIFICATION

HP Sound Equipment s.r.l.

DECLARATION OF CONFORMITY

Manufacturer/Importer: HP Sound Equipment s.r.l.

Brand: K-ARRAY

Address: viale Roma 7/I 50037 S. Piero a Sieve Firenze ITALY

Date of Issue: 02 / 06 / 08

Model Code: KV50 / KV50W

Declaration: Complies with essential protection requirements of Council Directive 89/336/EEC on the approximation of the Laws of the Member States relating to electromagnetic compatibility. This declaration applies to all specimens manufactured in accordance with the attached manufacturing drawings which form part of this declaration. Assessment of compliance of the product with the requirements relating to electromagnetic compatibility was based on the following standards:

Safety: EN60065 : 1998

EMC:

EN55103-1 1997 Emission (1)

EN55103-2 1997 Immunity (2)

- (1) This device may not cause harmful interference
 (2) This device must accept any interference received including interference that may cause undesired operation

Marking :



Applying Year:

2008

Applied by:

HP SOUND EQUIPMENT srl

Viale Roma 7/I
 50037 S. Piero a Sieve
 Firenze Italy
 Tel. +39 055 8487222
 Fax +39 055 8487238

Signed by:

Franco Spataro

Technical Manager

Franco Spataro
 HP Sound Equipment srl
 Viale Roma, 7/I - 50037 S. PIERO A SIEVE (FI) ITALY
 Telefono/Fax +39 055 8487222
 Partita IVA 02146120486

HP Sound Equipments s.r.l.

Viale Roma 7/I – 50037 SAN PIERO A SIEVE (FI) – P.I. : 02146120486
 Tel.: 0039-55-8487222 Fax: 0039-55-8487238 E-mail: info@hpsound.it